

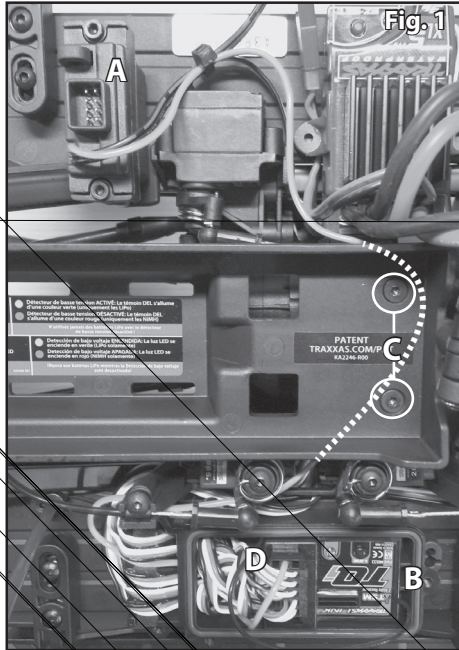


## LED Light Kit Installation Instructions (fits #8811 & #8825 bodies)

Covers Parts #8898, 8899

### LED Lighting Module Installation (Fig. 1) (#8898 Kit only):

1. Install the LED lighting module (A) on the left chassis floor pan. Secure with the 2.5x15mm cap screws (2).
2. Remove the screws from the receiver box cover and wire clamp; remove the cover and clamp (B).
3. Remove the two 3x10mm countersunk cap screws from the battery tray (C).
4. Lift up the battery tray and route the red wire (male connector) from the LED lighting module to the right side of the chassis, between the two T-Lock servos, and through the hole in the receiver box. Plug the connector into channel 1 of the receiver (D). **Note:** The connector can be plugged into any non-telemetry channel on the TQi receiver.
5. Apply an additional bead of silicone grease (Traxxas part #1647, sold separately) to the wire clamp. The grease will improve sealing. Reinstall the clamp and screws.
6. Make sure the o-ring is properly seated into the groove in the receiver box so that the cover will not pinch it or damage it in any way.
7. Install the cover and screws. Inspect the cover to make sure the o-ring seal is not visible.
8. Reinstall the screws in the battery tray.
9. Connect the black wire (red female connector) from the LED lighting module to the red wire (male connector) exiting the XL-5 HV electronic speed control.



### LED Headlight Installation (Fig. 11)

1. Remove the 2.6x8mm button-head cap screws (E) (8) to remove the front grille mount (F) and the front grille (G) from the body (see Assembly Diagram, Fig. 11). Remove the 1.6x5mm button-head screws (H) (2) from each headlight lens (I) and remove the assemblies from the front grille mount. Retain and reuse the plastic headlight lens, reflectors, reflector lens, and all hardware.
2. Install the circuit boards (J) onto the grille mount. Route the harness connecting the two circuit boards through the wire retainers on the front of the mount. Route the wire loops and power wires in the small slot and over the top of the mount as shown (Fig. 2).
3. Install the reflector lens and chrome reflectors (K) each onto the circuit boards (Fig. 3). **Note:** The reflectors/lens must be installed correctly (sit flat against the circuit boards). Align the keying features (pegs on the chrome reflectors and clear lens) with holes in the circuit boards and the grille mount.
4. Install the headlight lens over the chrome reflectors and onto the circuit boards (Fig. 4). **Note:** There are notches on the sides of the plastic headlight lens for clearance of the wires from the circuit boards.
5. Secure the headlight lens to the grille mount with the 1.6x5mm button-head screws (L) removed during disassembly.
6. Reinstall the front grille mount and front grille on the body using the 2.6x8mm button-head cap screws (8) removed during disassembly.
7. Remove the 2.6x8mm button-head cap screws (G) from the turn signal lens and housings on the vehicle hood (L) and remove the blank LEDs from the receptacles. Reinstall the lens and housings, and then snap the LED turn signal lights into the receptacles.
8. Snap the LED side marker lights into the receptacles near each front side door.

**Note:** Bend the wire leads carefully to assist with wire routing and for better fitment against the vehicle body (Fig. 5).

### LED Tail Light Installation (Fig. 11)

- Note:** The tail light harness (M) has long wires for ease of installation. Install the side of the harness with the connector on the left side (driver side) of the vehicle body.
1. Snap the tail light LEDs into the tail light receptacles. Bend the wire leads to lie flat against the body and away from the inner fenders (Fig. 6).
  2. Use the included zip ties to secure the wiring to the body in the locations provided. If necessary, coil and secure any excess wire.

### LED Roof Visor Light Installation (Fig. 11)

1. Remove the 2.6x6mm button-head cap screws (N) (3) from the roof visor retainer (D). Remove the roof visor (P) and the retainer from the body (see Assembly Diagram, Fig. 11).

Diagram

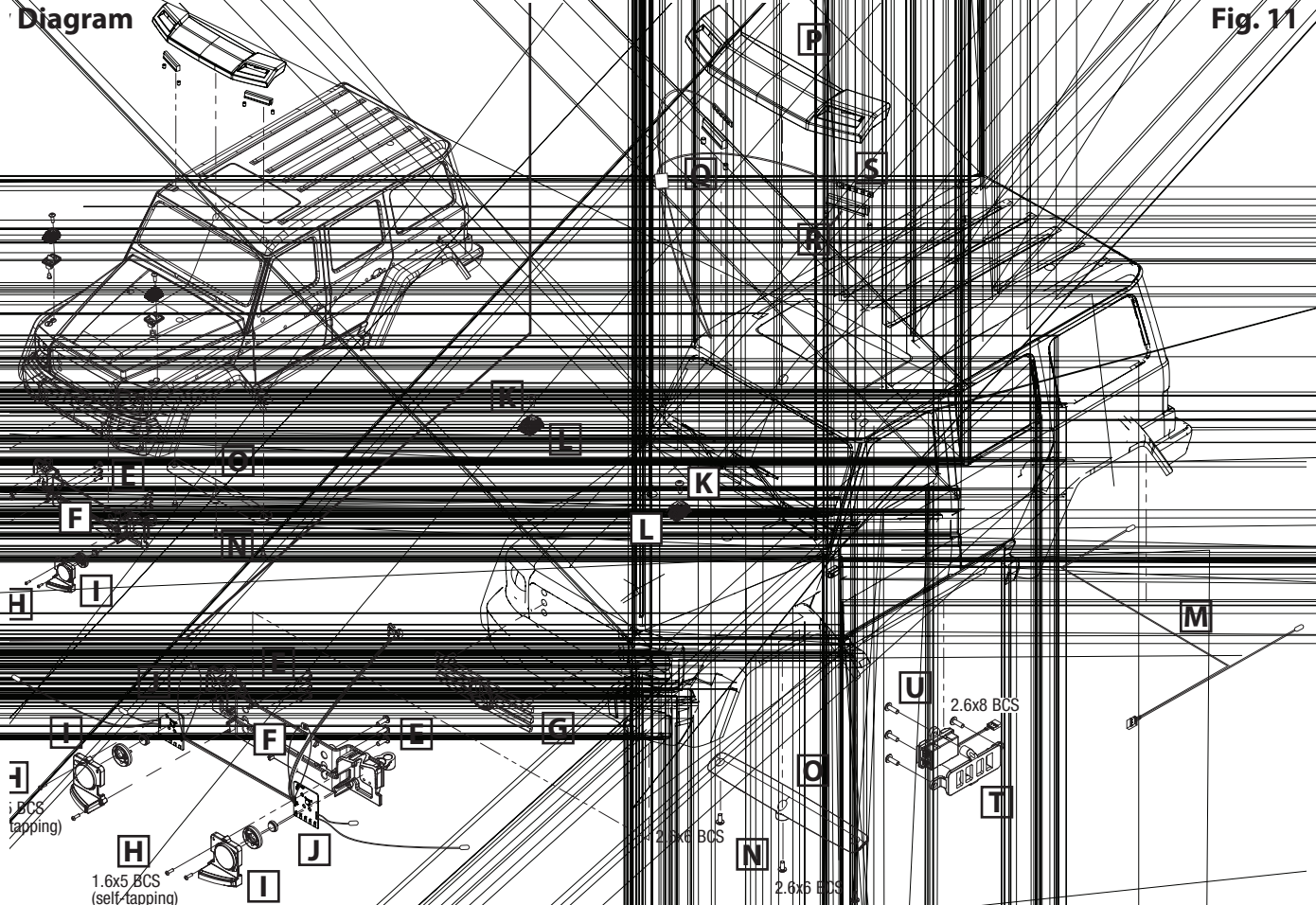
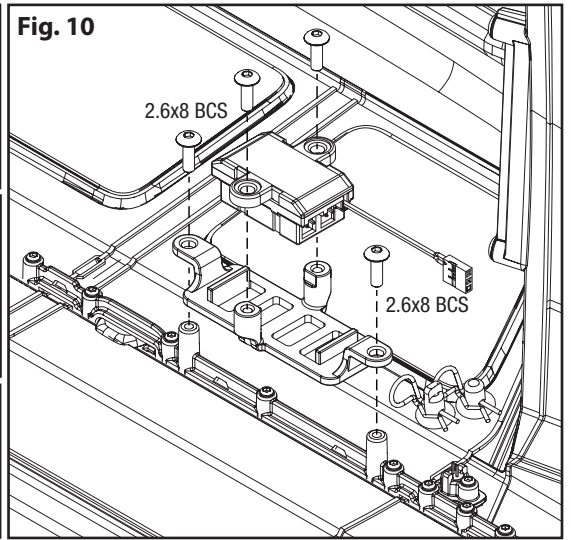
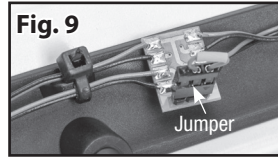
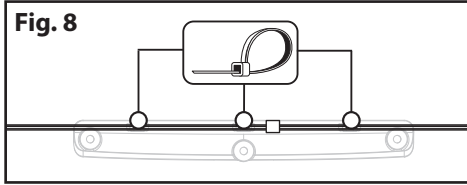
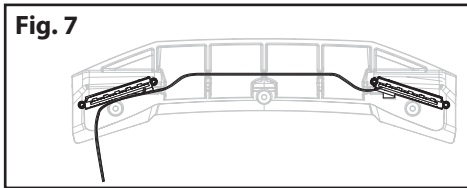


Fig. 11

- Remove the 3x4mm set screws (Q) (4) from the roof visor and remove the visor lens (R) (2). **Note orientation of the lens!**
- Feed the LED boards of the roof visor harness (S) through the hole in the front right corner (passenger side) of the roof.
- Install the LED boards in the visor lens; reinstall the lens in the roof visor. **Note orientation of the lens!** Secure the lens with the 3x4mm set screws (4) removed during disassembly.
- Route the harness connecting the two circuit boards through the wire retainers on the roof visor (Fig. 7).
- Reinstall the roof visor and visor retainer using the 2.6x6mm button-head cap screws removed during disassembly.
- Secure the wiring to the visor retainer with the included zip ties (3) (Fig. 8).
- Plug the included jumper (green color band) into the port located on the small circuit board attached to the roof visor light harness (Fig. 9). **Note:** The jumper will allow the LED lights to go into full power (high beam) mode. The jumper is not required for the LED lights to function (the lights will remain in low power (low beam) mode if the jumper is not used).



**Wire Routing (Fig. 12)**

When installing the LED light harnesses, note where the installation begins and ends in the Wiring Diagram (Fig. 12). Use zip ties to secure the wiring to the body in the locations provided. The zip ties do not need to be tight; allow some slack for wire movement.

**Distribution Block Installation (Fig. 10)**

- Install the distribution block mount (T) and secure with the included 2.6x8 mm button-head screws (2) as shown in Fig. 10.
- Plug the connectors from the LED light wire harnesses into the ports of the distribution block (U). Match the color band on the wire harnesses with the corresponding color of each port indicator on the distribution block (white for headlights, red for tail lights, yellow and green for roof visor lights).
- Use the included 2.6x8mm button-head screws (2) to secure the distribution block to the mount.

**Wiring Diagram**

Headlight, Turn Signal, Front Side Marker & Roof Visor Light Wiring for the #8811 body  
 Headlight, Turn Signal, Front Side Marker, Tail Light & Roof Visor Light Wiring for the #8825 body

**Fig. 12**

